



## Common Mode Choke ~ UT24LF SERIES

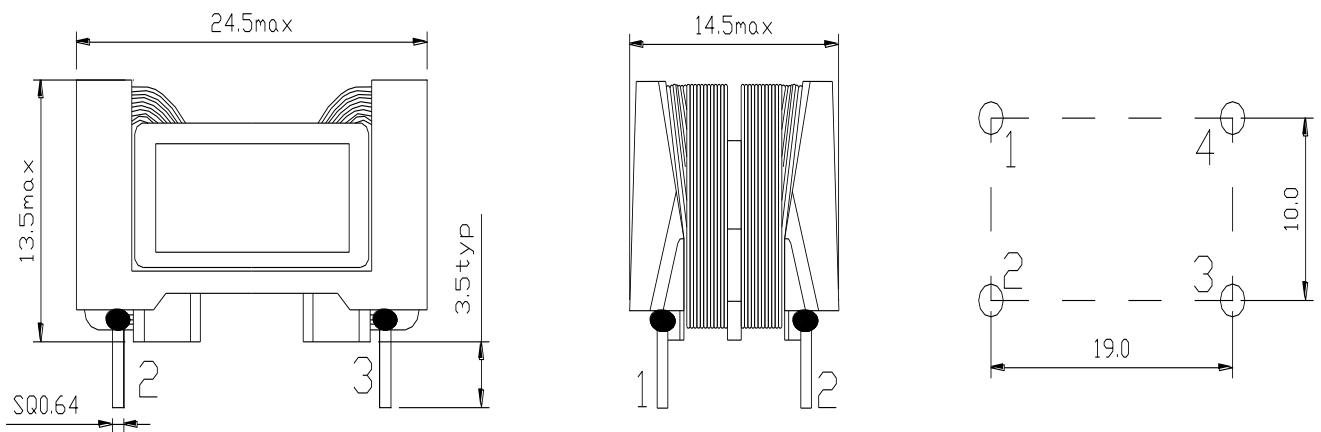


### PART NUMBERING SYSTEM

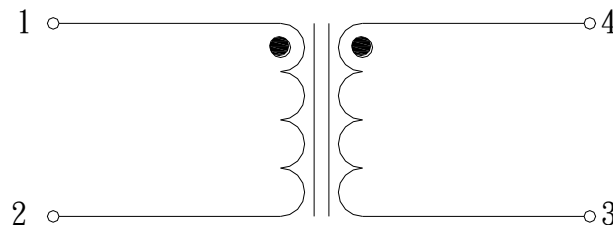
<b>UT</b>	<b>24LF</b>	—	<b>473</b>	—	<b>LF</b>
TYPE	DIMENSIONS		IMPEDANCE		LEAD FREE

### SHAPES AND DIMENSIONS

UNIT : mm



### SCHEMATIC DRAWING





## Common Mode Choke ~ UT24LF SERIES



### FEATURES

- Rated voltage 250 V AC
- Rated current 0.45 ... 1.6 A (+40 °C)
- Rated inductance 10 mH to 100 mH
- High inductance with low resistance
- Very small stray inductance for symmetrical interference suppression
- High pulse-handling capability
- Very good inductance/rated current ratio

### SPECIFICATION TABLE

PART NUMBER	INDUCTANCE (mH)	Lstray typ.(uH)	DCR (mΩ)	Rated Current ( A ) (max)	TEST FREQ. ( f )
UT24LF-103-LF	10.0+50%/-30%	204	291	1.60	10KHz
UT24LF-153-LF	15.0+50%/-30%	291	432	1.30	10KHz
UT24LF-273-LF	27.0+50%/-30%	520	771	0.90	10KHz
UT24LF-393-LF	39.0+50%/-30%	761	1100	0.80	10KHz
UT24LF-473-LF	47.0+50%/-30%	924	1261	0.70	10KHz
UT24LF-683-LF	68.0+50%/-30%	1346	1974	0.60	10KHz
UT24LF-104-LF	100.0+50%/-30%	1937	2931	0.45	10KHz

- Rated voltage VR:250 V AC (50/60Hz)
- Hi-pot Test voltage Vtest:2000 V AC , 2s (Line to Line)
- Rated temperature TR:+40 °C
- Rated current IR: Referred to 50Hz and rated temperature , see the data table
- Rated inductance LR: Measured with LCZ1062 at 10KHz/0.1mA , +20°C inductance is specified per winding .
- Operating temperature range -40°C to +125°C
- Electrical specifications at 25°C